



# 2:1 DIFFERENTIAL-TO-LVDS MULTIPLEXER

# ICS85401

## Description



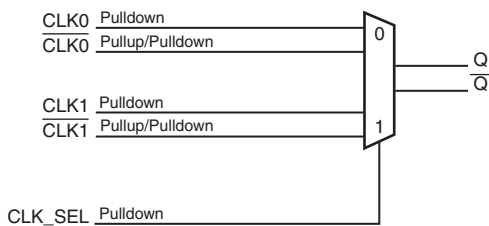
The ICS85401 is a high performance 2:1 Differential-to-LVDS Multiplexer and a member of the HiPerClockS™ family of High Performance Clock Solutions from ICS. The ICS85401 can also perform differential translation because the differential

inputs accept LVPECL, CML as well as LVDS levels. The ICS85401 is packaged in a small 3mm x 3mm 16 VFQFN package, making it ideal for use on space constrained boards.

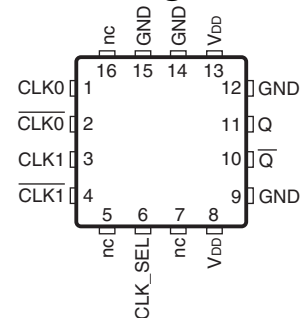
## Features

- 2:1 LVDS MUX
- One LVDS output pair
- Two differential clock inputs can accept: LVPECL, LVDS, CML
- Maximum input/output frequency: 2.5GHz
- Translates LVCMOS/LVTTL input signals to LVDS levels by using a resistor bias network on nCLK0, nCLK1
- Propagation delay: 460ps (maximum)
- Part-to-part skew: 100ps (maximum)
- Full 3.3V supply mode
- -40°C to 85°C ambient operating temperature
- Available in both standard (RoHS 5) and lead-free (RoHS 6) packages

## Block Diagram



## Pin Assignment



### ICS85401

16-Lead VFQFN  
3mm x 3mm x 0.95mm  
package body  
K Package  
Top View

**Table 1. Pin Descriptions**

Number	Name	Type		Description
1	CLK0	Input	Pulldown	Non-inverting differential clock input.
2	$\overline{\text{CLK0}}$	Input	Pullup/ Pulldown	Inverting differential clock input. VDD/2 default when left floating.
3	CLK1	Input	Pulldown	Non-inverting differential clock input.
4	$\overline{\text{CLK1}}$	Input	Pullup/ Pulldown	Inverting differential clock input. VDD/2 default when left floating.
5, 7, 16	nc	Unused		No connect.
6	CLK_SEL	Input	Pulldown	Clock select input. When HIGH, selects CLK1, $\overline{\text{CLK1}}$ inputs. When LOW, selects CLK0, $\overline{\text{CLK0}}$ inputs. LVCMOS / LVTTTL interface levels.
8, 13	V <sub>DD</sub>	Power		Power supply pins.
9, 12, 14, 15	GND	Power		Power supply ground.
10, 11	$\overline{\text{Q}}$ , Q	Output		Differential output pair. LVDS interface levels.

NOTE: Pullup and Pulldown refer to internal input resistors. See Table 2, *Pin Characteristics*, for typical values.

**Table 2. Pin Characteristics**

Symbol	Parameter	Test Conditions	Minimum	Typical	Maximum	Units
C <sub>IN</sub>	Input Capacitance			1		pF
R <sub>PULLUP</sub>	Input Pullup Resistor			37		kΩ
R <sub>PULLDOWN</sub>	Input Pulldown Resistor			37		kΩ

## Function Tables

**Table 3. Control Input Function Table**

Input	CLK_OUT
CLK_SEL	CLK
0	CLK0, $\overline{\text{CLK0}}$
1	CLK1, $\overline{\text{CLK1}}$

## Absolute Maximum Ratings

NOTE: Stresses beyond those listed under *Absolute Maximum Ratings* may cause permanent damage to the device. These ratings are stress specifications only. Functional operation of product at these conditions or any conditions beyond those listed in the *DC Characteristics* or *AC Characteristics* is not implied. Exposure to absolute maximum rating conditions for extended periods may affect product reliability.

Item	Rating
Supply Voltage, $V_{DD}$	4.6V
Inputs, $V_I$	-0.5V to $V_{DD} + 0.5V$
Outputs, $I_O$ Continuous Current Surge Current	10mA 15mA
Package Thermal Impedance, $\theta_{JA}$	51.5°C/W (0 lfpm)
Storage Temperature, $T_{STG}$	-65°C to 150°C

## DC Electrical Characteristics

Table 4A. Power Supply DC Characteristics,  $V_{DD} = 3.3V \pm 5\%$ ,  $T_A = -40^\circ C$  to  $85^\circ C$

Symbol	Parameter	Test Conditions	Minimum	Typical	Maximum	Units
$V_{DD}$	Positive Supply Voltage		3.135	3.3	3.465	V
$I_{DD}$	Power Supply Current				40	mA

Table 4B. LVCMOS/LVTTL DC Characteristics,  $V_{DD} = 3.3V \pm 5\%$ ,  $T_A = -40^\circ C$  to  $85^\circ C$

Symbol	Parameter	Test Conditions	Minimum	Typical	Maximum	Units
$V_{IH}$	Input High Voltage		2		$V_{DD} + 0.3$	V
$V_{IL}$	Input Low Voltage		-0.3		0.8	V
$I_{IH}$	Input High Current	CLK_SEL $V_{DD} = V_{IN} = 3.465V$			150	$\mu A$
$I_{IL}$	Input Low Current	CLK_SEL $V_{DD} = 3.465V, V_{IN} = 0V$	-150			$\mu A$

Table 4C. Differential DC Characteristics,  $V_{DD} = 3.3V \pm 5\%$ ,  $T_A = -40^\circ C$  to  $85^\circ C$

Symbol	Parameter	Test Conditions	Minimum	Typical	Maximum	Units	
$I_{IH}$	Input High Current	CLK0, CLK1	$V_{DD} = V_{IN} = 3.465V$			150	$\mu A$
		$\overline{CLK0}, \overline{CLK1}$	$V_{DD} = V_{IN} = 3.465V$			150	$\mu A$
$I_{IL}$	Input Low Current	CLK0, CLK1	$V_{DD} = 3.465V,$ $V_{IN} = 0V$	-150			$\mu A$
		$\overline{CLK0}, \overline{CLK1}$	$V_{DD} = 3.465V,$ $V_{IN} = 0V$	-150			$\mu A$
$V_{PP}$	Peak-to-Peak Voltage		0.15	0.8	1.2	V	
$V_{CMR}$	Common Mode Input Voltage; NOTE 1, 2		1.2		$V_{DD}$	V	

NOTE 1: Common mode input voltage is defined as  $V_{IH}$ .

NOTE 2: For single-ended applications, the maximum input voltage for CLKx,  $\overline{CLKx}$  is  $V_{DD} + 0.3V$ .

**Table 4D. LVDS DC Characteristics,  $V_{DD} = 3.3V \pm 5\%$ ,  $T_A = -40^\circ C$  to  $85^\circ C$** 

Symbol	Parameter	Test Conditions	Minimum	Typical	Maximum	Units
$V_{OD}$	Differential Output Voltage		200	350	500	mV
$\Delta V_{OD}$	$V_{OD}$ Magnitude Change				50	mV
$V_{OS}$	Offset Voltage		1.05	1.15	1.25	V
$\Delta V_{OS}$	$V_{OS}$ Magnitude Change				50	mV

## AC Electrical Characteristics

**Table 5. AC Characteristics,  $V_{DD} = 3.3V \pm 5\%$ ,  $T_A = -40^\circ C$  to  $85^\circ C$** 

Parameter	Symbol	Test Conditions	Minimum	Typical	Maximum	Units
$f_{MAX}$	Output Frequency				>2.5	GHz
$t_{PD}$	Propagation Delay; NOTE 1		260	360	460	ps
$t_{sk}(pp)$	Part-to-Part Skew; NOTE 2, 3				100	ps
$t_R / t_F$	Output Rise/Fall Time	20% to 80%	125	160	200	ps
odc	Output Duty Cycle		49		51	%
$MUX_{ISOLATION}$	MUX Isolation			-55		

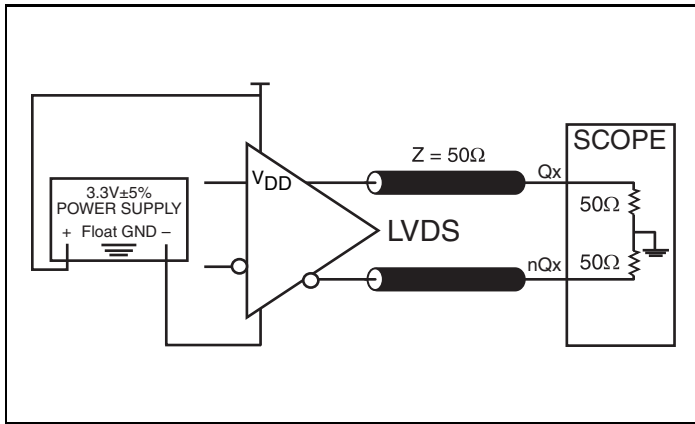
All parameters measured at  $\approx 1$ GHz unless otherwise noted.

NOTE 1: Measured from the differential input crossing point to the differential output crossing point.

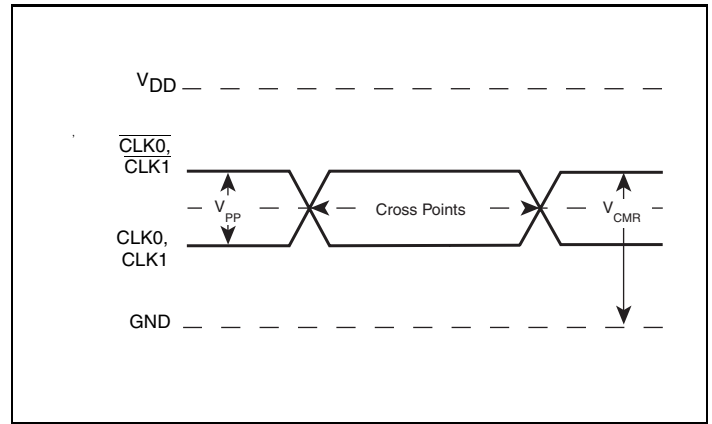
NOTE 2: Defined as skew between outputs on different devices operating at the same supply voltages and with equal load conditions. Using the same type of inputs on each device, the outputs are measured at the differential cross points.

NOTE 3: This parameter is defined in accordance with JEDEC Standard 65. Typical Phase Noise at 156.25MHz

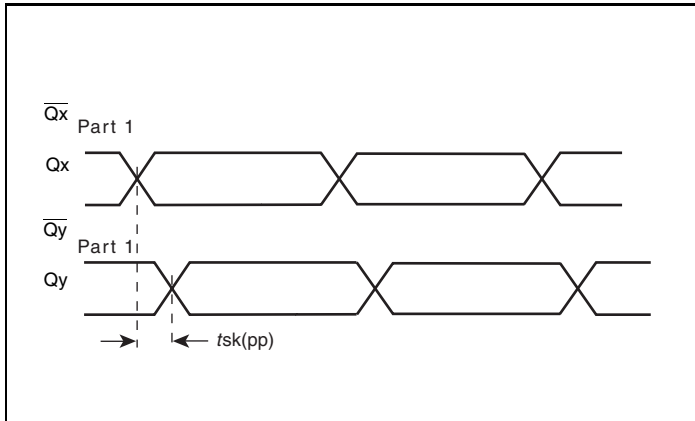
### Parameter Measurement Information



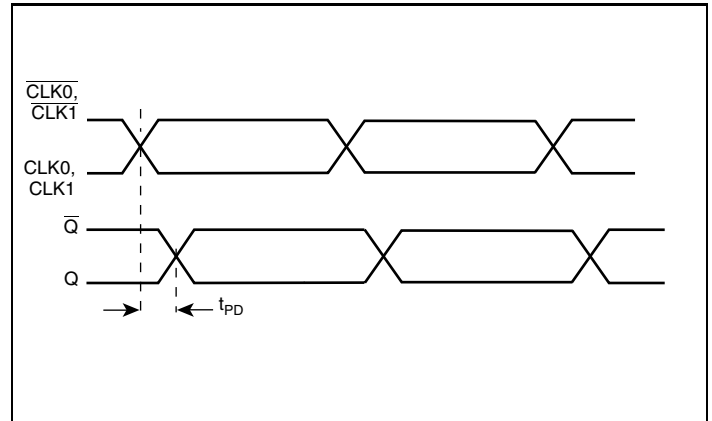
3.3V LVDS Output Load AC Test Circuit



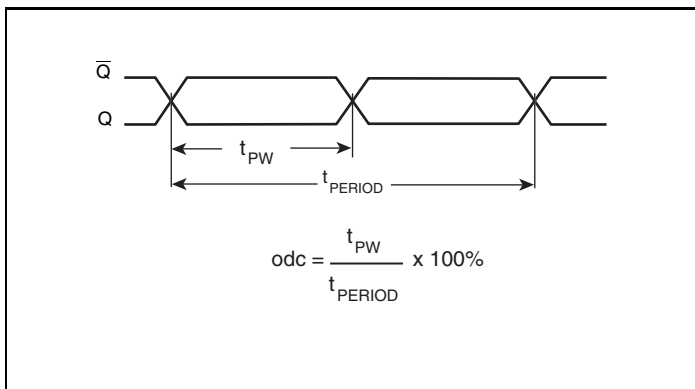
Differential Input Level



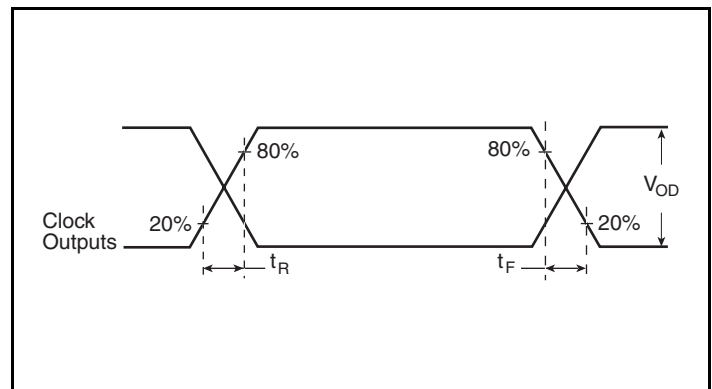
Part-to-Part Skew



Propagation Delay

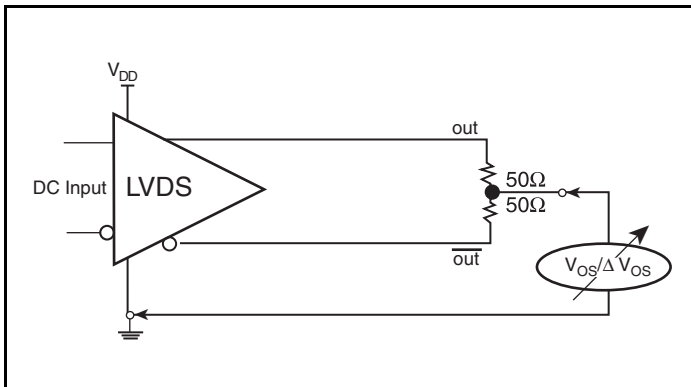


Output Duty Cycle/Pulse Width/Period

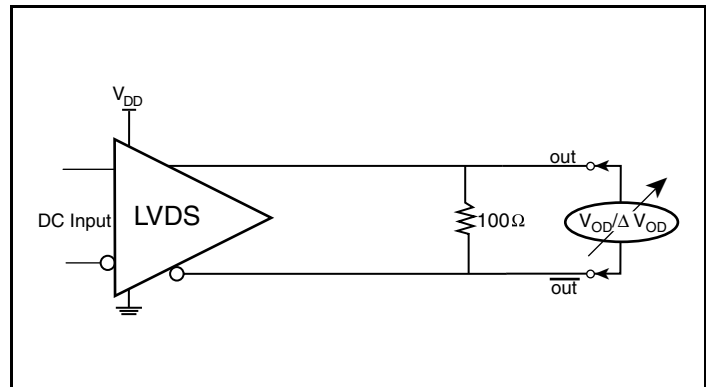


Output Rise/Fall Time

## Parameter Measurement Information, continued



Offset Voltage Setup



Differential Output Voltage Setup

## Application Information

### Wiring the Differential Input to Accept Single Ended Levels

Figure 1 shows how the differential input can be wired to accept single ended levels. The reference voltage  $V_{REF} = V_{DD}/2$  is generated by the bias resistors R1, R2 and C1. This bias circuit should be located as close as possible to the input pin. The ratio of R1 and R2 might need to be adjusted to position the  $V_{REF}$  in the center of the input voltage swing. For example, if the input clock swing is only 2.5V and  $V_{DD} = 3.3V$ ,  $V_{REF}$  should be 1.25V and  $R2/R1 = 0.609$ .

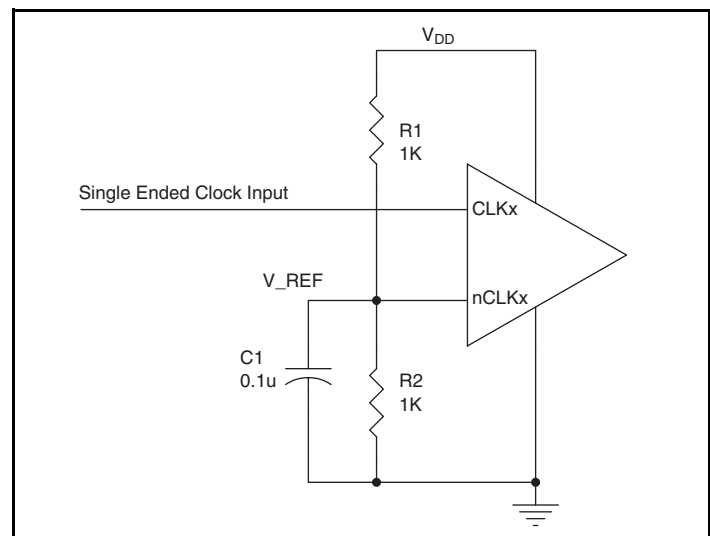
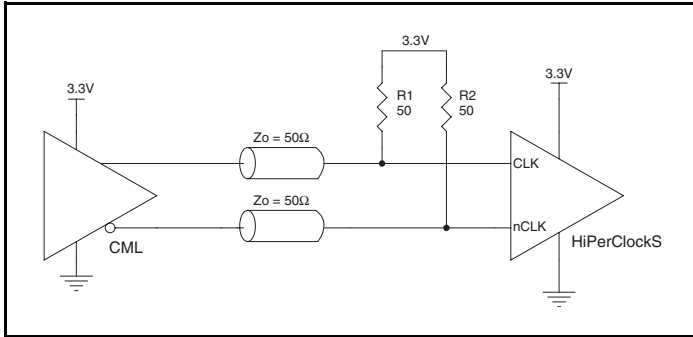


Figure 1. Single-Ended Signal Driving Differential Input

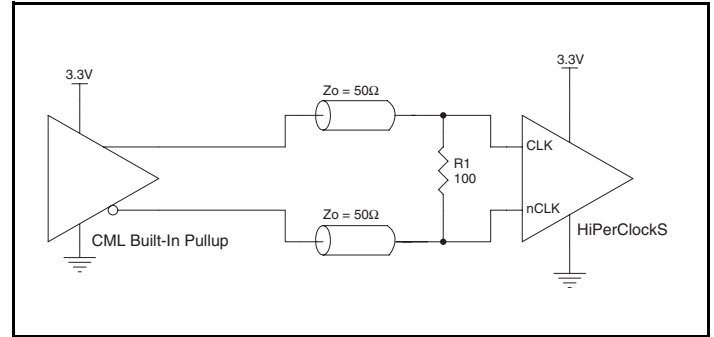
## Differential Clock Input Interface

The CLKx / $\overline{\text{CLKx}}$  accepts LVPECL, LVDS, CML and other differential signals. The signal must meet the  $V_{PP}$  and  $V_{CMR}$  input requirements. Figures 2A to 2E show interface examples for the HiPerClockS CLKx/ $\overline{\text{CLKx}}$  input driven by the most common driver

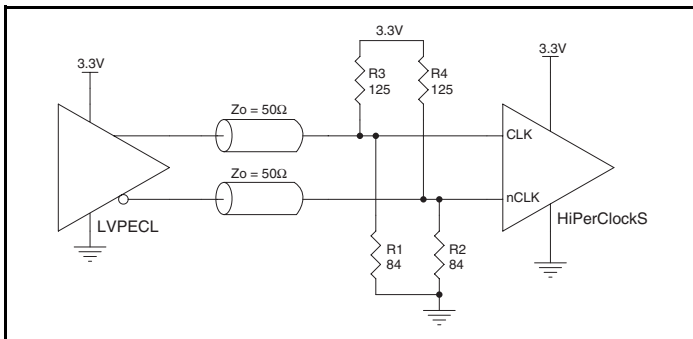
types. The input interfaces suggested here are examples only. If the driver is from another vendor, use their termination recommendation. Please consult with the vendor of the driver component to confirm the driver termination requirements.



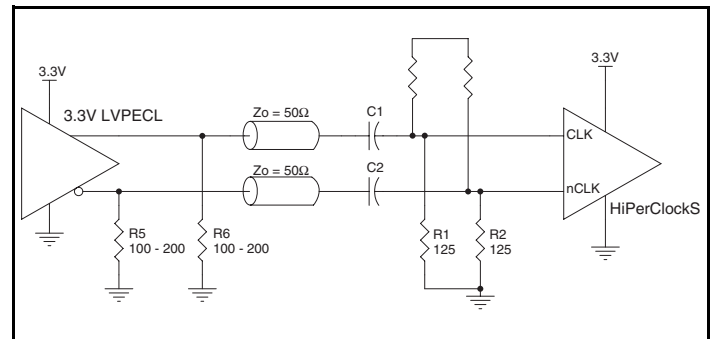
**Figure 2A. HiPerClockS CLK/ $\overline{\text{CLK}}$  Input Driven by an IDT Open Collector CML Driver**



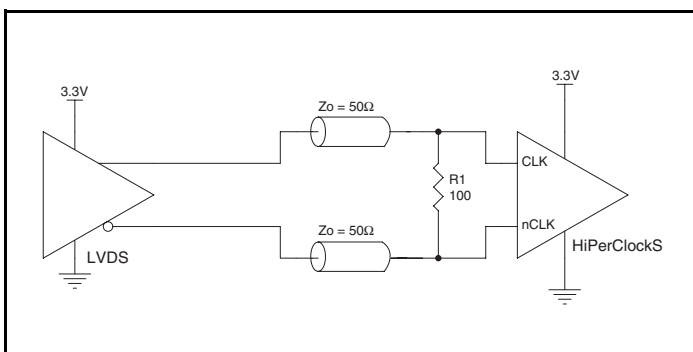
**Figure 2B. HiPerClockS CLK/ $\overline{\text{CLK}}$  Input Driven by a Built-In Pullup CML Driver**



**Figure 2C. HiPerClockS CLK/ $\overline{\text{CLK}}$  Input Driven by a 3.3V LVPECL Driver**



**Figure 2D. HiPerClockS CLK/ $\overline{\text{CLK}}$  Input Driven by a 3.3V LVPECL Driver with AC Couple**



**Figure 2E. HiPerClockS CLK/ $\overline{\text{CLK}}$  Input Driven by a 3.3V LVDS Drive**

## Recommendations for Unused Input Pins

### Inputs:

#### CLK/ $\overline{\text{CLK}}$ Inputs:

For applications not requiring the use of the differential input, both CLK and  $\overline{\text{CLK}}$  can be left floating. Though not required, but for additional protection, a 1k $\Omega$  resistor can be tied from CLK to ground.

## Application Schematic Example

Figure 3 shows an example of ICS85401 application schematic. This device can accept different types of input signal. In this

example, the input is driven by an LVDS driver. The decoupling capacitor should be located as close as possible to the power pin.

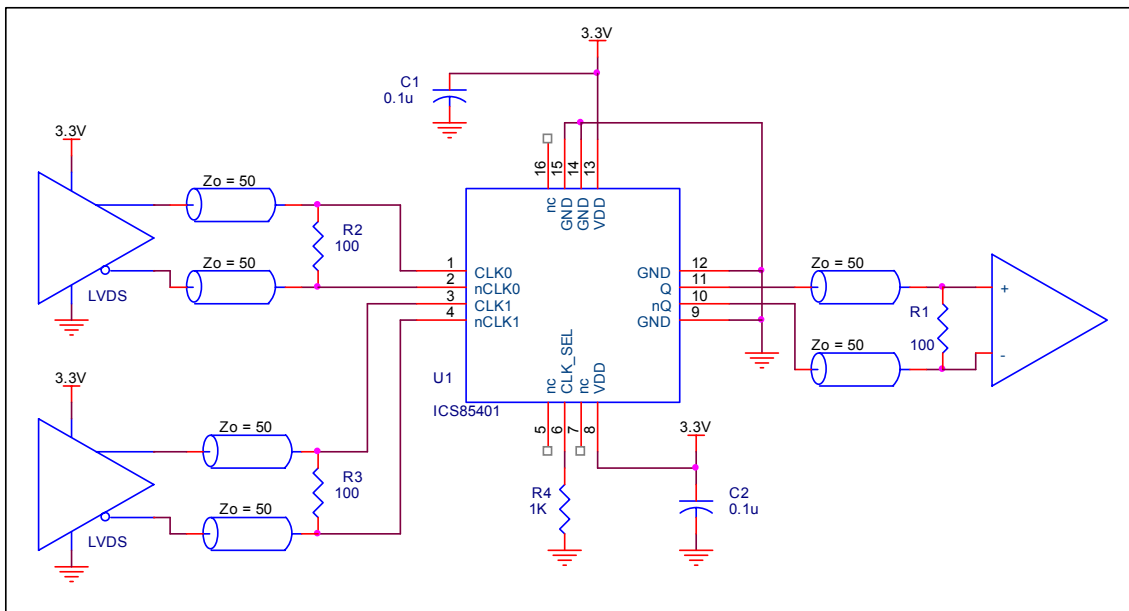


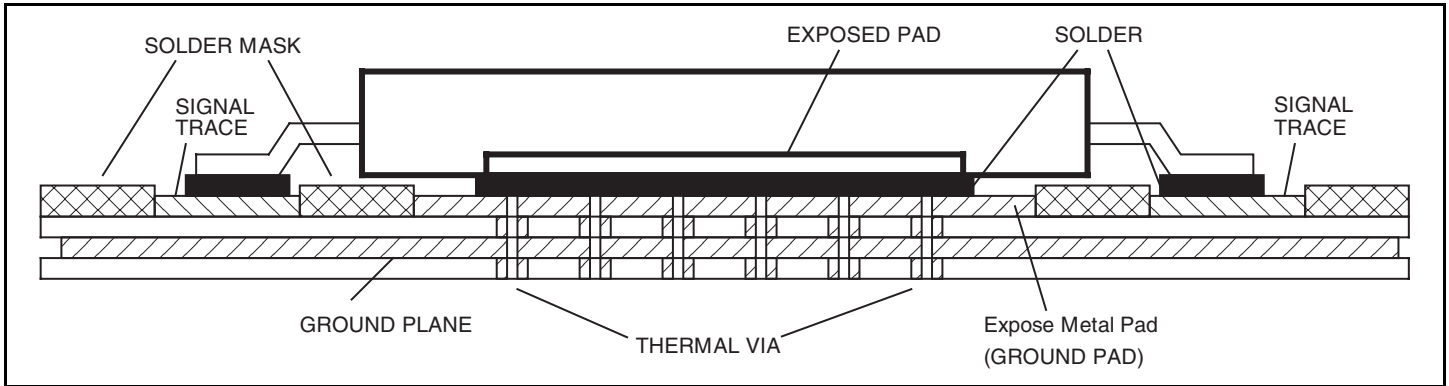
Figure 3. ICS85401 Application Schematic Example



## Thermal Release Path

The expose metal pad provides heat transfer from the device to the P.C. board. The expose metal pad is ground pad connected to ground plane through thermal via. The exposed pad on the device to the exposed metal pad on the PCB is contacted through solder

as shown in *Figure 4*. For further information, please refer to the Application Note on Surface Mount Assembly of Amkor's Thermally /Electrically Enhance Leadframe Base Package, Amkor Technology.

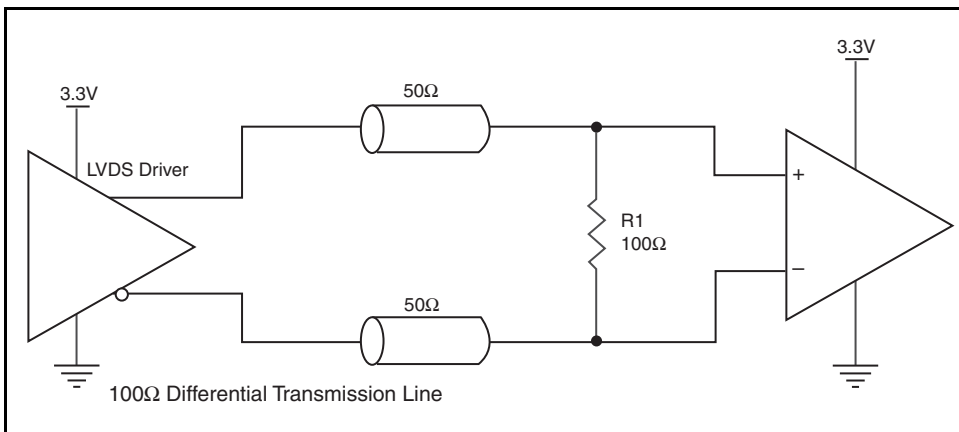


**Figure 4. P.C. Board for Exposed Pad Thermal Release Path Example**

## 3.3V LVDS Driver Termination

A general LVDS interface is shown in *Figure 5*. In a  $100\Omega$  differential transmission line environment, LVDS drivers require a matched load termination of  $100\Omega$  across near the receiver input. For a

multiple LVDS outputs buffer, if only partial outputs are used, it is recommended to terminate the unused outputs.



**Figure 5. Typical LVDS Driver Termination**

## Power Considerations

This section provides information on power dissipation and junction temperature for the ICS85401. Equations and example calculations are also provided.

### 1. Power Dissipation.

The total power dissipation for the ICS85401 is the sum of the core power plus the analog power plus the power dissipated in the load(s). The following is the power dissipation for  $V_{DD} = 3.3V + 5\% = 3.465V$ , which gives worst case results.

- $Power_{MAX} = V_{DD\_MAX} * I_{DD\_MAX} = 3.465V * 40mA = 138.6mW$

### 2. Junction Temperature.

Junction temperature,  $T_j$ , is the temperature at the junction of the bond wire and bond pad and directly affects the reliability of the device. The maximum recommended junction temperature for HiPerClockS devices is 125°C.

The equation for  $T_j$  is as follows:  $T_j = \theta_{JA} * Pd_{total} + T_a$

$T_j$  = Junction Temperature

$\theta_{JA}$  = Junction-to-Ambient Thermal Resistance

$Pd_{total}$  = Total Device Power Dissipation (example calculation is in section 1 above)

$T_a$  = Ambient Temperature

In order to calculate junction temperature, the appropriate junction-to-ambient thermal resistance  $\theta_{JA}$  must be used. Assuming no air flow and a multi-layer board, the appropriate value is 51.5°C/W per Table 6 below.

Therefore,  $T_j$  for an ambient temperature of 85°C with all outputs switching is:

$$85^\circ C + 0.139W * 51.5^\circ C/W = 92.2^\circ C. \text{ This is well below the limit of } 125^\circ C.$$

This calculation is only an example.  $T_j$  will obviously vary depending on the number of loaded outputs, supply voltage, air flow and the type of board (single layer or multi-layer).

**Table 6. Thermal Resistance  $\theta_{JA}$  for 16 Lead VFQFN, Forced Convection**

$\theta_{JA}$ by Velocity	
Linear Feet per Minute	0
Multi-Layer PCB, JEDEC Standard Test Boards	51.5°C/W

## Reliability Information

Table 7.  $\theta_{JA}$  vs. Air Flow Table for a 16 Lead VFQFN

$\theta_{JA}$ by Velocity			
Linear Feet per Minute	0		
Multi-Layer PCB, JEDEC Standard Test Boards	51.5°C/W		

## Transistor Count

The transistor count for ICS85401 is: 132

## Package Outline and Package Dimension

### Package Outline - K Suffix for 16 Lead VFQFN

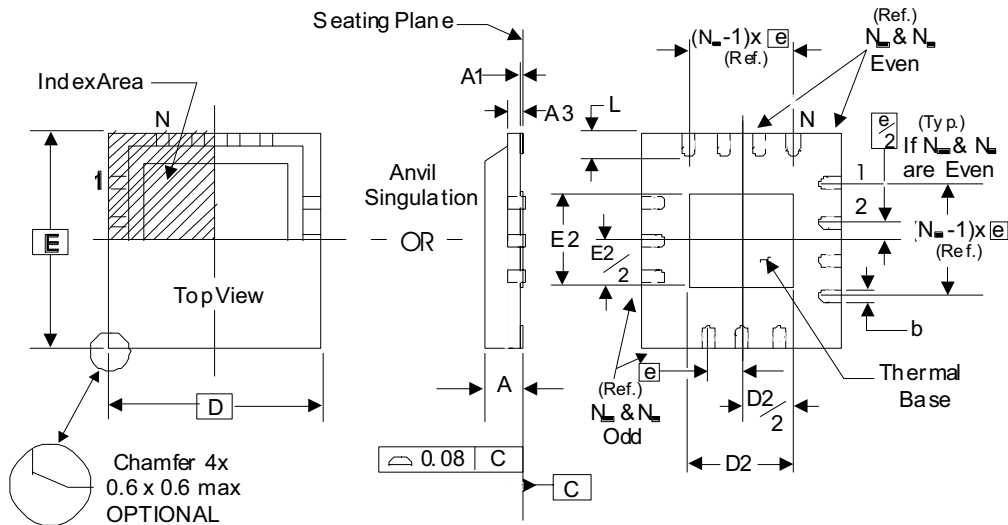


Table 8. Package Dimensions

JEDEC Variation: VEED-2/-4 All Dimensions in Millimeters		
Symbol	Minimum	Maximum
N	16	
A	0.80	1.00
A1	0	0.05
A3	0.25 Ref.	
b	0.18	0.30
$N_D$ & $N_E$	4	
D & E	3.00 Basic	
D2 & E2	1.00	1.80
e	0.50 Basic	
L	0.30	0.50

Reference Document: JEDEC Publication 95, MO-220

## Ordering Information

Table 9. Ordering Information

Part/Order Number	Marking	Package	Shipping Packaging	Temperature
85401AK	401A	16 Lead VFQFN	Tube	-40°C to 85°C
85401AKT	401A	16 Lead VFQFN	2500 Tape & Reel	-40°C to 85°C
85401AKLF	01AL	"Lead-Free" 16 Lead VFQFN	Tube	-40°C to 85°C
85401AKLFT	01AL	"Lead-Free" 16 Lead VFQFN	2500 Tape & Reel	-40°C to 85°C

NOTE: Parts that are ordered with an "LF" suffix to the part number are the Pb-Free configuration and are RoHS compliant.

While the information presented herein has been checked for both accuracy and reliability, Integrated Device Technology (IDT) assumes no responsibility for either its use or for the infringement of any patents or other rights of third parties, which would result from its use. No other circuits, patents, or licenses are implied. This product is intended for use in normal commercial and industrial applications. Any other applications, such as those requiring high reliability or other extraordinary environmental requirements are not recommended without additional processing by IDT. IDT reserves the right to change any circuitry or specifications without notice. IDT does not authorize or warrant any IDT product for use in life support devices or critical medical instruments.

## Revision History Sheet

Rev	Table	Page	Description of Change	Date
A		8	Add Schematic Layout.	8/23/04
A	T8	10	Corrected count in Ordering Information Table.	11/17/04
A		1	Pin Assignment - corrected label on pin 2.	2/22/05
A	T8	1 11	Features section - added Lead-Free bullet. Ordering Information Table - corrected Shipping Packaging from Tray to Tube, and added Lead-Free part number and note.	3/14/06
A	T9	7 10 13	Corrected <i>Differential Clock Input Interface</i> . Added <i>Power Considerations</i> Section. Ordering Information Table - added Lead-Free marking. Updated format throughout the datasheet.	3/6/07

ICS85401

2:1 DIFFERENTIAL-TO-LVDS MULTIPLEXER

Innovate with IDT and accelerate your future networks. Contact:

**www.IDT.com**

**For Sales**

800-345-7015  
408-284-8200  
Fax: 408-284-2775

**For Tech Support**

netcom@idt.com  
480-763-2056

---

**Corporate Headquarters**

Integrated Device Technology, Inc.  
6024 Silver Creek Valley Road  
San Jose, CA 95138  
United States  
800 345 7015  
+408 284 8200 (outside U.S.)

**Asia Pacific and Japan**

Integrated Device Technology  
Singapore (1997) Pte. Ltd.  
Reg. No. 199707558G  
435 Orchard Road  
#20-03 Wisma Atria  
Singapore 238877  
+65 6 887 5505

**Europe**

IDT Europe, Limited  
321 Kingston Road  
Leatherhead, Surrey  
KT22 7TU  
England  
+44 (0) 1372 363 339  
Fax: +44 (0) 1372 378851



